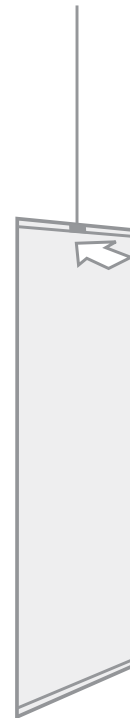
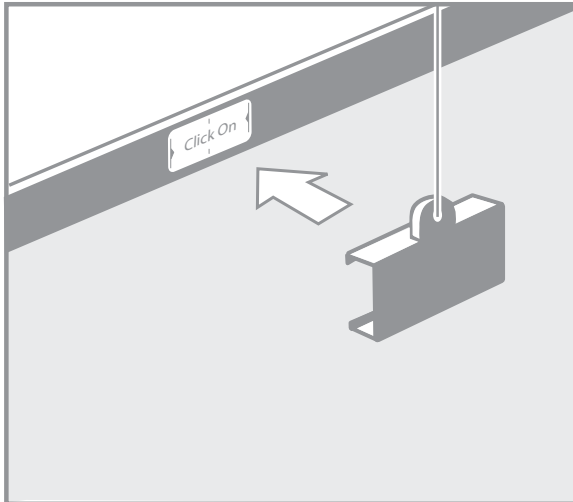


FLEX-display™ Assembly # **M1**

- 1 x Single side fixing
- 2 x Horizontal bar
- 1 x Banner



FLEX-display™ Assembly # **N1**

- 2 x Double side fixing
- 4 x Horizontal bar
- 2 x Banner

