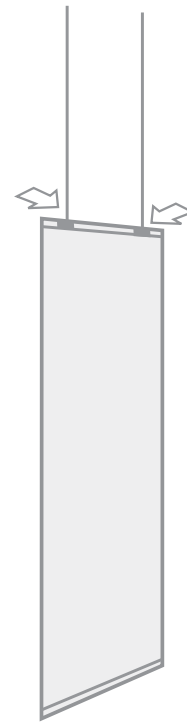
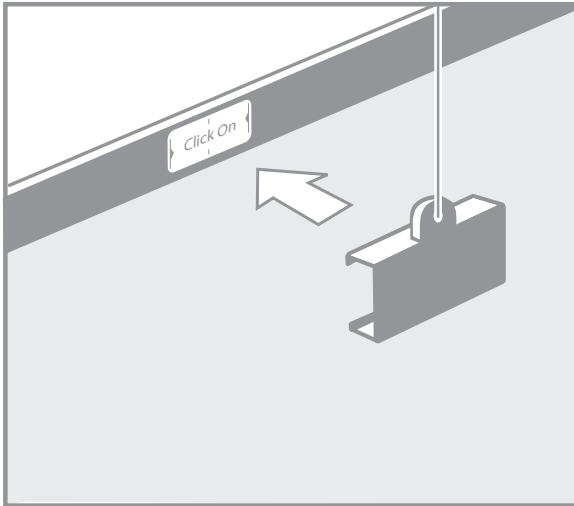


## FLEX-display™ Assembly # **M2**

---

- 2 x Single side fixing
- 2 x Horizontal bar
- 1 x Banner



## FLEX-display™ Assembly # **N2**

---

- 3 x Double side fixing
- 4 x Horizontal bar
- 2 x Banner

